



®

DSX Access Systems, Inc.

DSX-L85 Integrated Locksets

DSX-L85 Integrated Lockset Features

DSX-L85 Locksets are highly adaptive to their environment and especially informative with the ability to report up to 14 states of its condition. There are 6 basic modes of operation which are detailed in the descriptions below. With the combined power of the Integrated Locksets and DSX, there are many custom applications that can be deployed.

Standard

Valid Credentials momentarily unlock door. The Internal Pushbutton can signal an alarm but does not have any other interaction with the lockset.

Privacy

Valid Credential on the exterior momentarily unlocks door. Interior Push button enables privacy which disables normal electronic access from exterior. Pushing the button a second time deactivates the privacy mode. Request to Exit removes Privacy. Access can always be granted from PC.



Classroom / Storeroom

Valid Credential on the exterior toggles the lock state of door open or secure.

Office

Interior pushbutton and a Valid Credential used on the exterior toggles lock state of door open or secure.

Curfew

With a Time Zone assigned to the Deadbolt Monitor an alarm can be generated if the door is not shut and locked by a predefined time or if it is opened during that specified period.

Apartment

Interior pushbutton toggles lock state of door open and secure. Request to Exit unlocks the door. When door is unlocked, a valid Credential used on the exterior toggles the lock state of door secure. When the lock is secure manually or by Time Zone a valid credential will momentarily unlock the door.

Operational Notes ///

1. Inside Lever always allows free egress.
2. Deadbolt always disables keyless entry.
3. Grant Access from Workstation overrides deadbolt and Internal push button.
4. The Curfew feature can be implemented in any mode by placing a controlled time zone on the deadbolt monitor input.
5. In Case of Emergency - Manual Action from Workstation overrides all Modes.
6. Communications Loss to Lockset can result in Fail Open, Fail Secure, or Fail to current state. This is configurable by Lockset
7. Keypads can be configured for Card + PIN or Card or PIN
8. Priority is in this order: Operator Commands, Deadbolt, Time Zone, User Actions (Reader / Internal Push Button)

Lockset Conditions Monitored by L85

All of the conditions below are monitored and reported to DSX as inputs. These inputs can be controlled by Time Zones and can be assigned custom icons, WAV files, graphic alarm maps and can be programmed to send text messages and emails.

Inside Pushbutton – can be used as a panic alarm in mode 0 & 1

Key Override – armed with time zone for keyed entry alarm

Request to Enter – used with abort delay can render – “desperate to open” alarm

Deadbolt Position – can be used for Curfew alarm

Tamper Cover – monitored for unauthorized access

Clutch Status – provides an alarm when lock is not in correct state

Door Position – provides alarm on unauthorized entry or if left open

Exit Request – should not be assigned a time zone

RF Communications Link – can provide out of service alarm

Main Battery Low – can report battery status

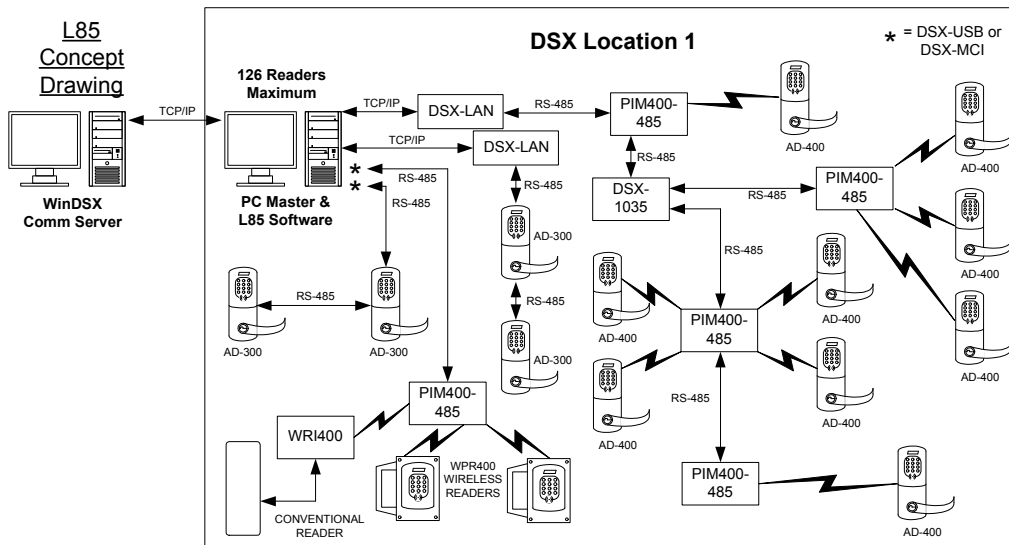
Main Battery Critical – can report battery critical

Lithium Battery Low – can report lithium battery status

Lithium Battery Critical – can report lithium battery critical

Communication Loss – reports comm loss to lockset

DSX_L85 Concept Drawing



DSX Comm Server, PC Master, and L85 software can all run on the same PC depending on size of application.